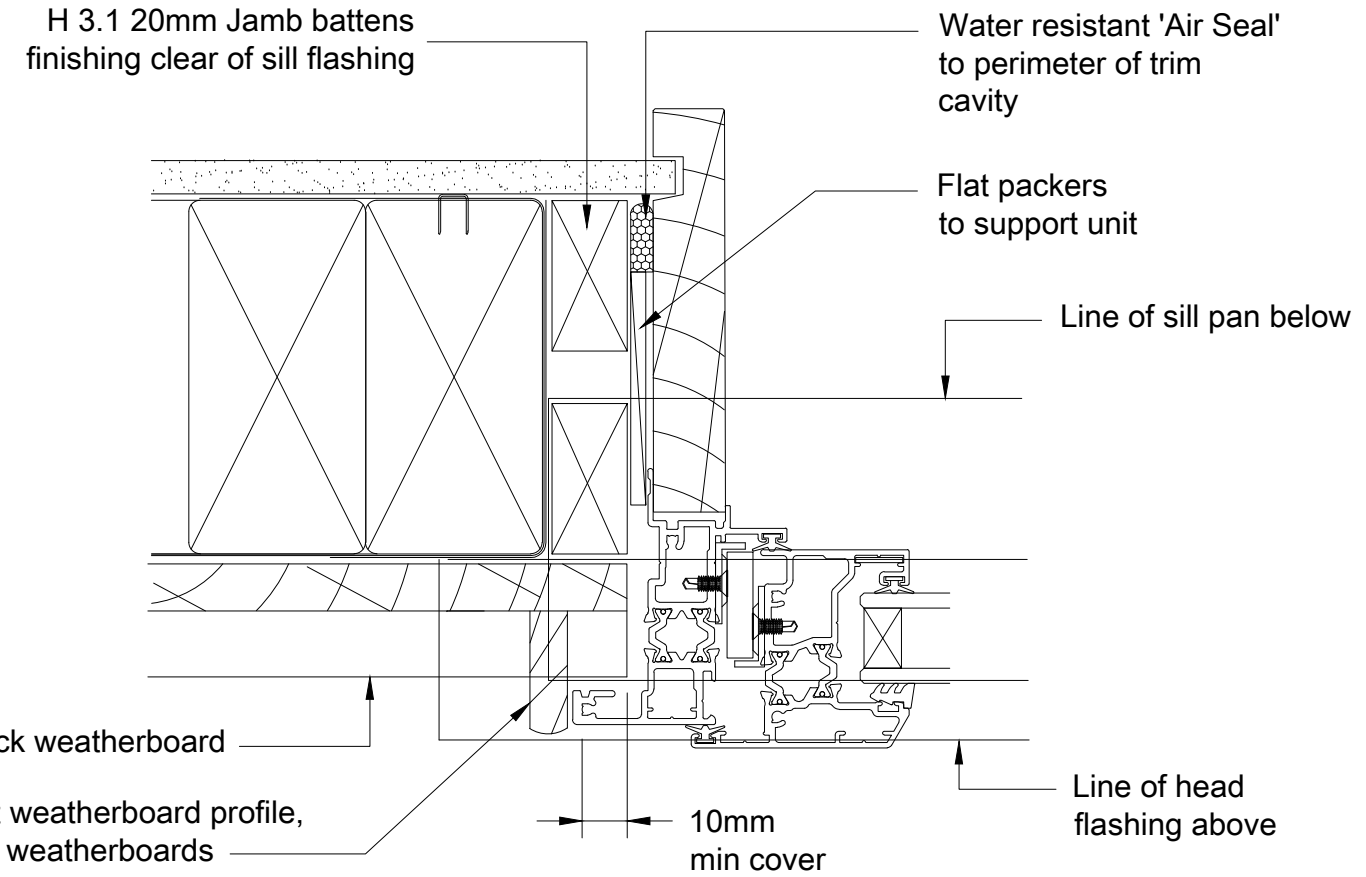
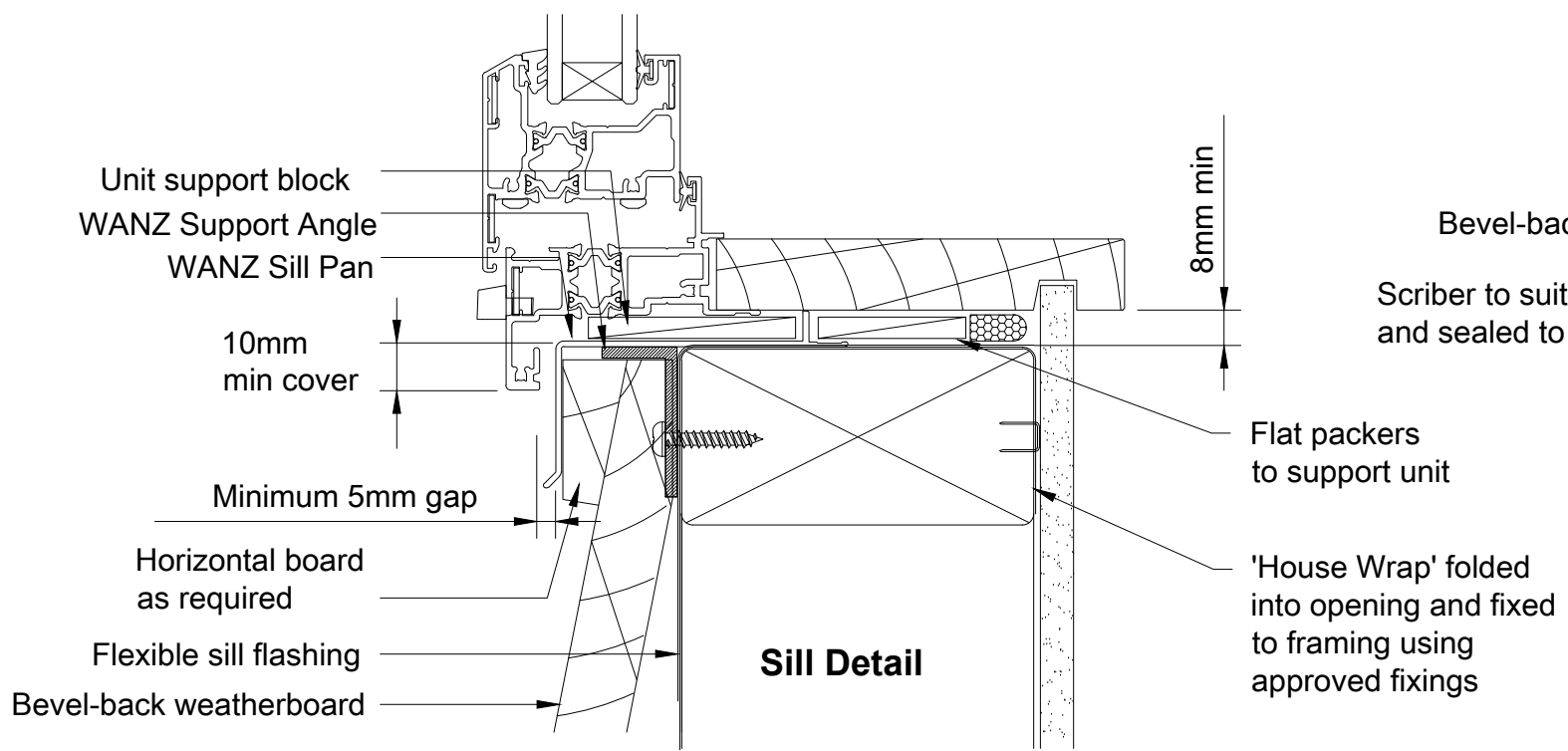


Note :
 Jamb battens are fitted after all of the trim preparation has been completed, including flashing tape, sill tray flashing and end stops.
 Jamb battens are to be full height.
 If jamb battens do not span the width of the framing then position them to align with the inner and outer faces.



Jamb Detail



Sill Detail

DATE:
07/04/2015

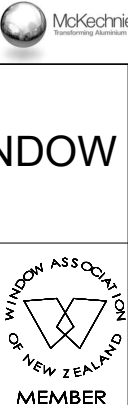
SCALE:
1:2 @ A3

ISSUE:
No: 002

**WANZ WIS DIRECT FIX
 B/B WEATHERBOARD - AWNING WINDOW**

Page : dfBBWTHRMaw

OMEGA Windows & Doors Ltd.
 36 Paraita Road, Bell Block
 Private Bag 2007
 New Plymouth 4342
 TEL: 0800 500 141
 FAX: +64 6 755 9381
 www.omegawindows.co.nz



Bevel-back weatherboard
 Approved tape &/or house wrap over head flashing
 Head flashing 60mm upstand (15° fall & 10mm min cover)

Temporary Packer (see Clause 9.1.10.8 comment c. of The WANZ Guide to Window Installation as described in E2/AS1)

Sealant for Very High and Extra High wind zones

Water resistant 'Air Seal' to perimeter of trim cavity

5mm nom

Head Detail

Note :
 Jamb battens are fitted after all of the trim preparation has been completed, including flashing tape, sill tray flashing and end stops.
 Jamb battens are to be full height.
 If jamb battens do not span the width of the framing then position them to align with the inner and outer faces.

H 3.1 20mm Jamb battens finishing clear of sill flashing

Water resistant 'Air Seal' to perimeter of trim cavity

Flat packers to support unit

Line of sill pan below

Bevel-back weatherboard
 Scriber to suit weatherboard profile, and sealed to weatherboards

10mm min cover

Line of head flashing above

Jamb Detail

Unit support block
 WANZ Support Angle
 WANZ Sill Pan

8mm min

10mm min cover

Flat packers to support unit

Minimum 5mm gap

'House Wrap' folded into opening and fixed to framing using approved fixings

Horizontal board as required
 Flexible sill flashing
 Bevel-back weatherboard

Sill Detail



DATE: 07/04/2015
 SCALE: 1:2 @ A3
 ISSUE: No: 002

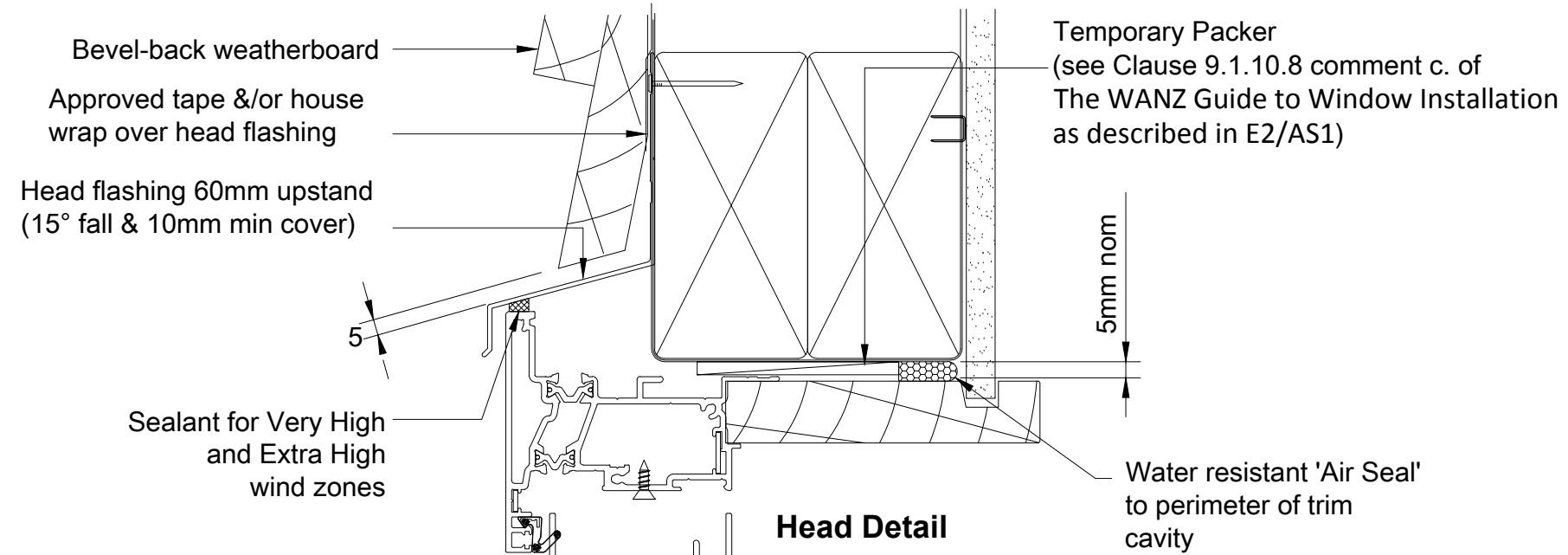
**WANZ WIS DIRECT FIX
 B/B WEATHERBOARD - BI FOLD WINDOW**

Page : dfBBWTHRMbw

OMEGA Windows & Doors Ltd.
 36 Paraiti Road, Bell Block
 Private Bag 2007
 New Plymouth 4342
 TEL: 0800 500 141
 FAX: +64 6 755 9381
 www.omegawindows.co.nz

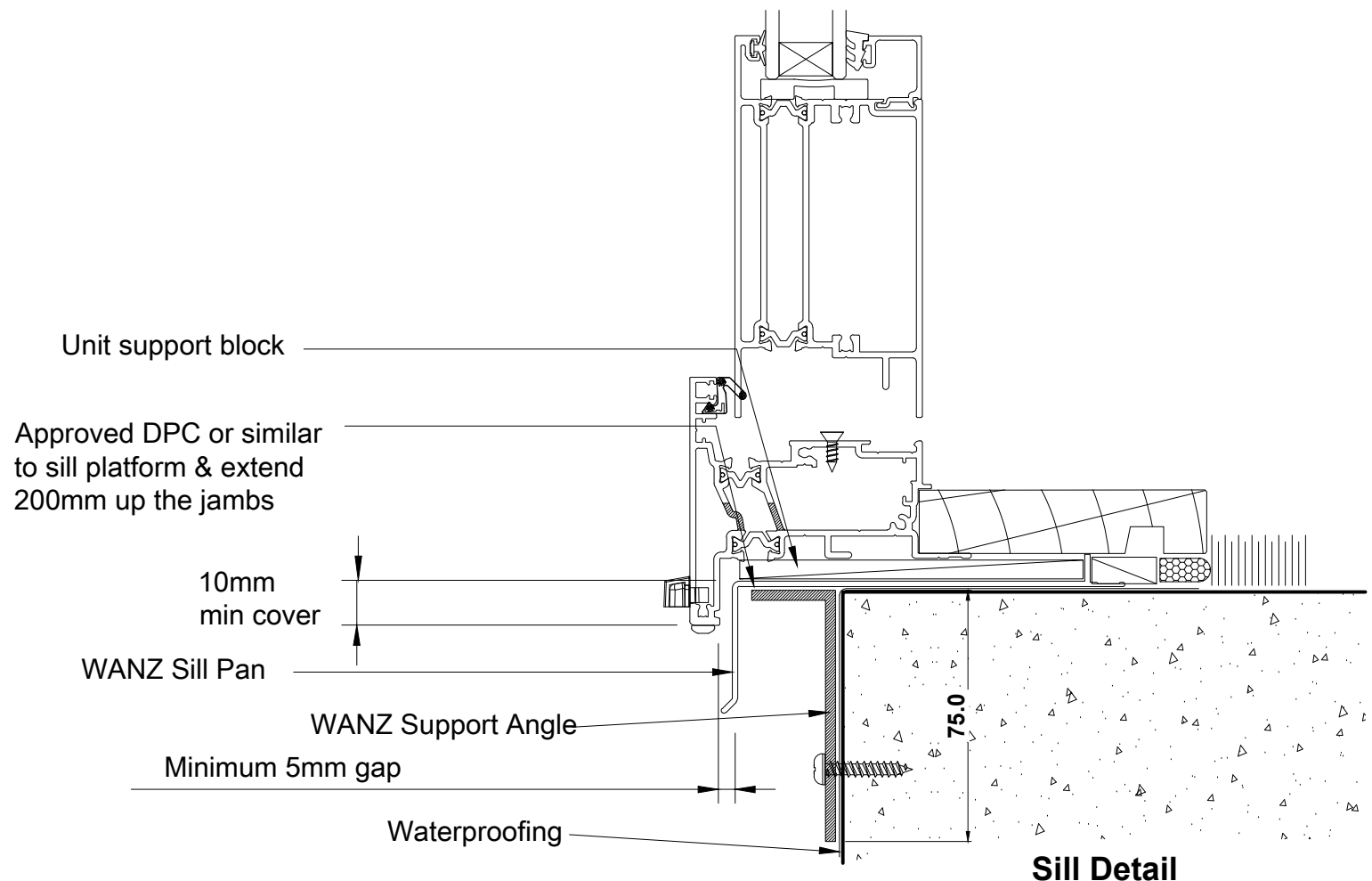


This document is intended as a guide only and is to be used in conjunction with The WANZ Guide to Window Installation as described in E2/AS1 Amendment 5 (see link below)
<http://www.wanz.org.nz/download/WANZ%20Guide%20to%20E2%20AS1%20Amd%206%20V1.3%20Dec%202014.pdf>

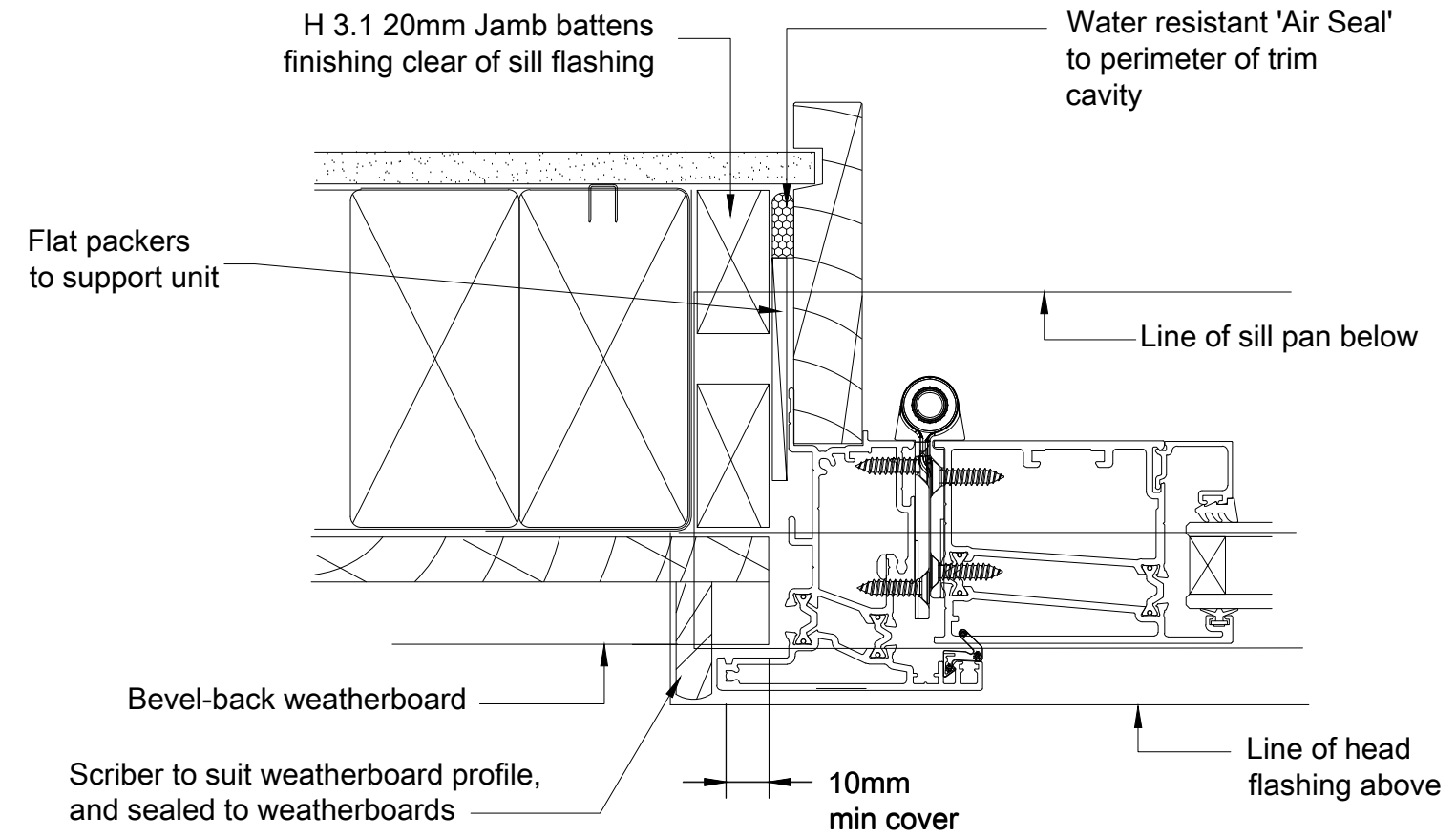


Head Detail

Note :
 Jamb battens are fitted after all of the trim preparation has been completed, including flashing tape, sill tray flashing and end stops.
 Jamb battens are to be full height.
 If jamb battens do not span the width of the framing then position them to align with the inner and outer faces.



Sill Detail



Jamb Detail

DATE:
07/04/2015

SCALE:
1:2 @ A3

ISSUE:
No: 003

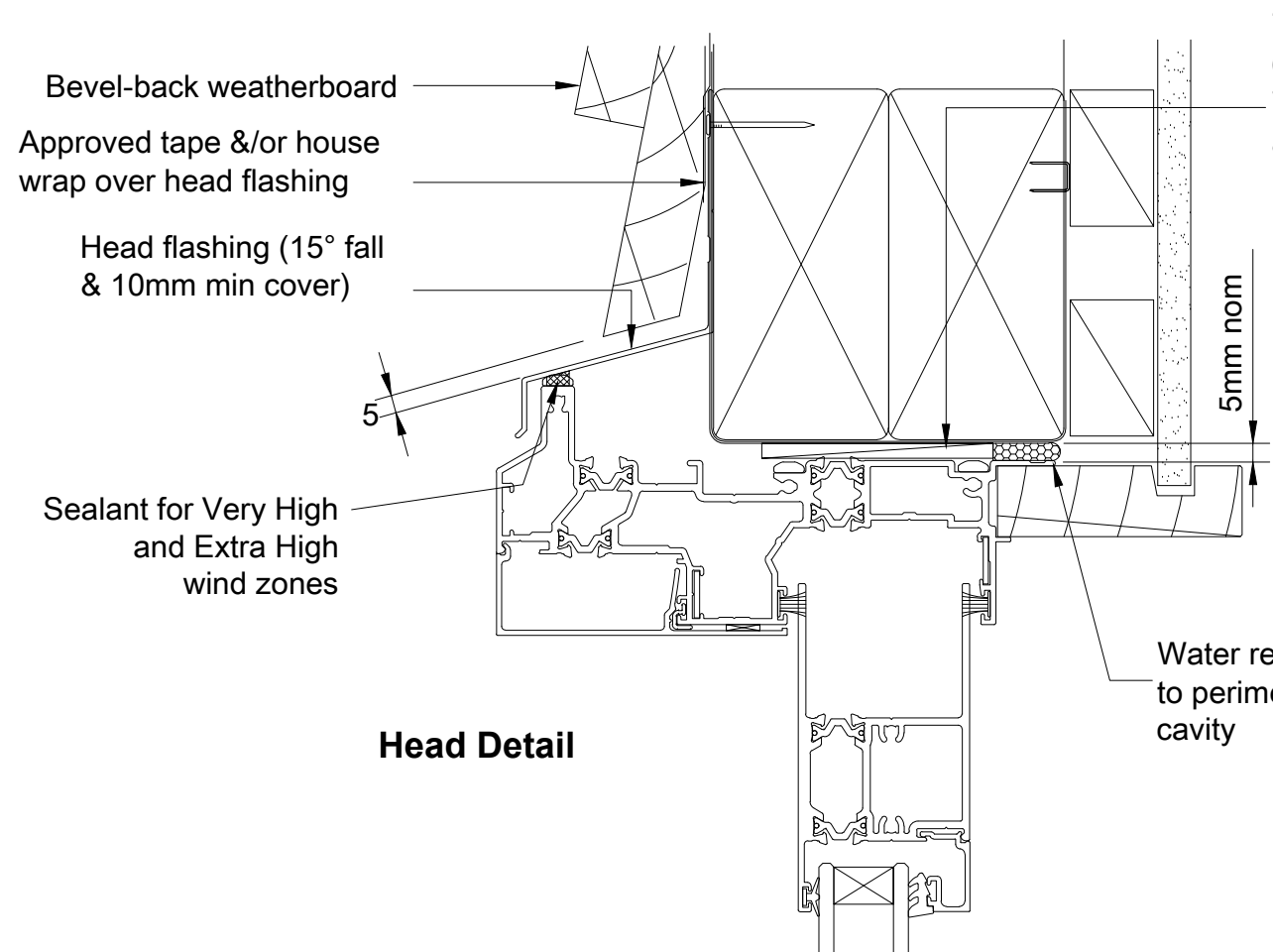
**WANZ WIS DIRECT FIX
 B/B WEATHERBOARD - HINGED DOOR**

Page : dfBBWTHRMhd

OMEGA Windows & Doors Ltd.
 36 Paraiti Road, Bell Block
 Private Bag 2007
 New Plymouth 4342
 TEL: 0800 500 141
 FAX: +64 6 755 9381
 www.omegawindows.co.nz



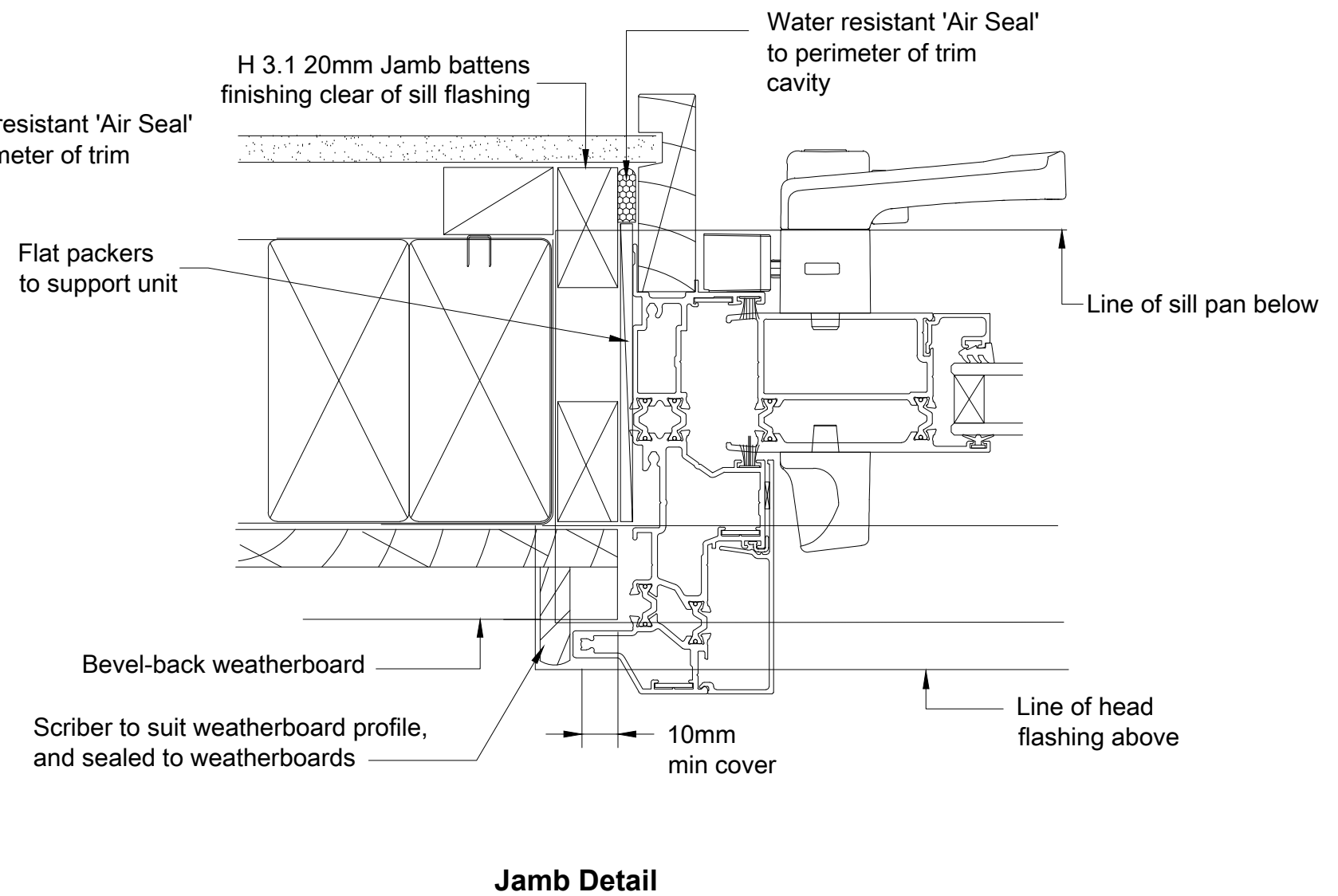
This document is intended as a guide only and is to be used in conjunction with The WANZ Guide to Window Installation as described in E2/AS1 Amendment 5 (see link below)
<http://www.wanz.org.nz/download/WANZ%20Guide%20to%20E2%20AS1%20Amd%206%20V1.3%20Dec%202014.pdf>



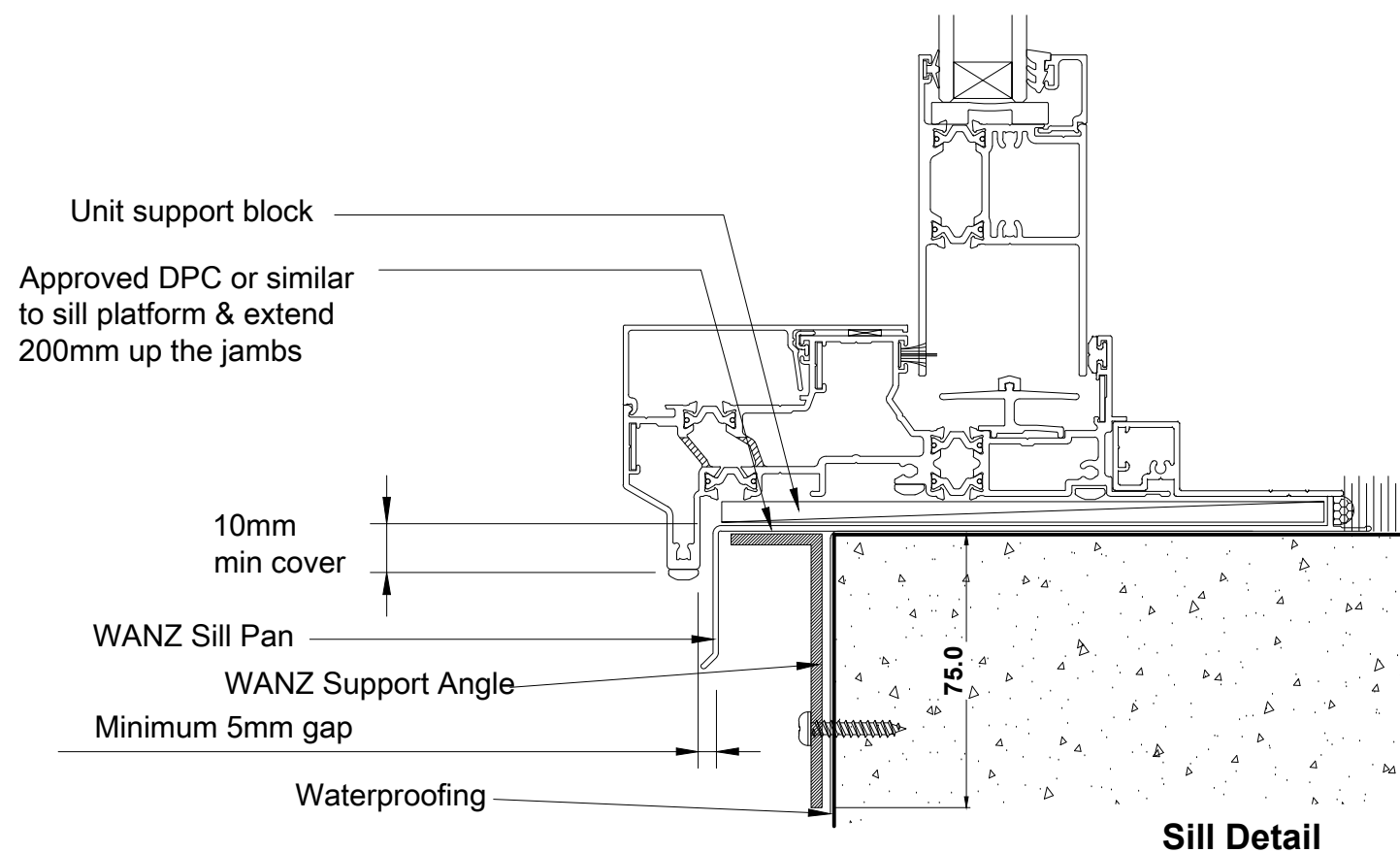
Head Detail

Temporary Packer
(see Clause 9.1.10.8 comment c. of
The WANZ Guide to Window Installation
as described in E2/AS1)

Note :
Jamb battens are fitted after all of the
trim preparation has been completed,
including flashing tape, sill tray flashing
and end stops.
Jamb battens are to be full height.
If jamb battens do not span
the width of the framing then position
them to align with the inner and outer faces.



Jamb Detail



Sill Detail



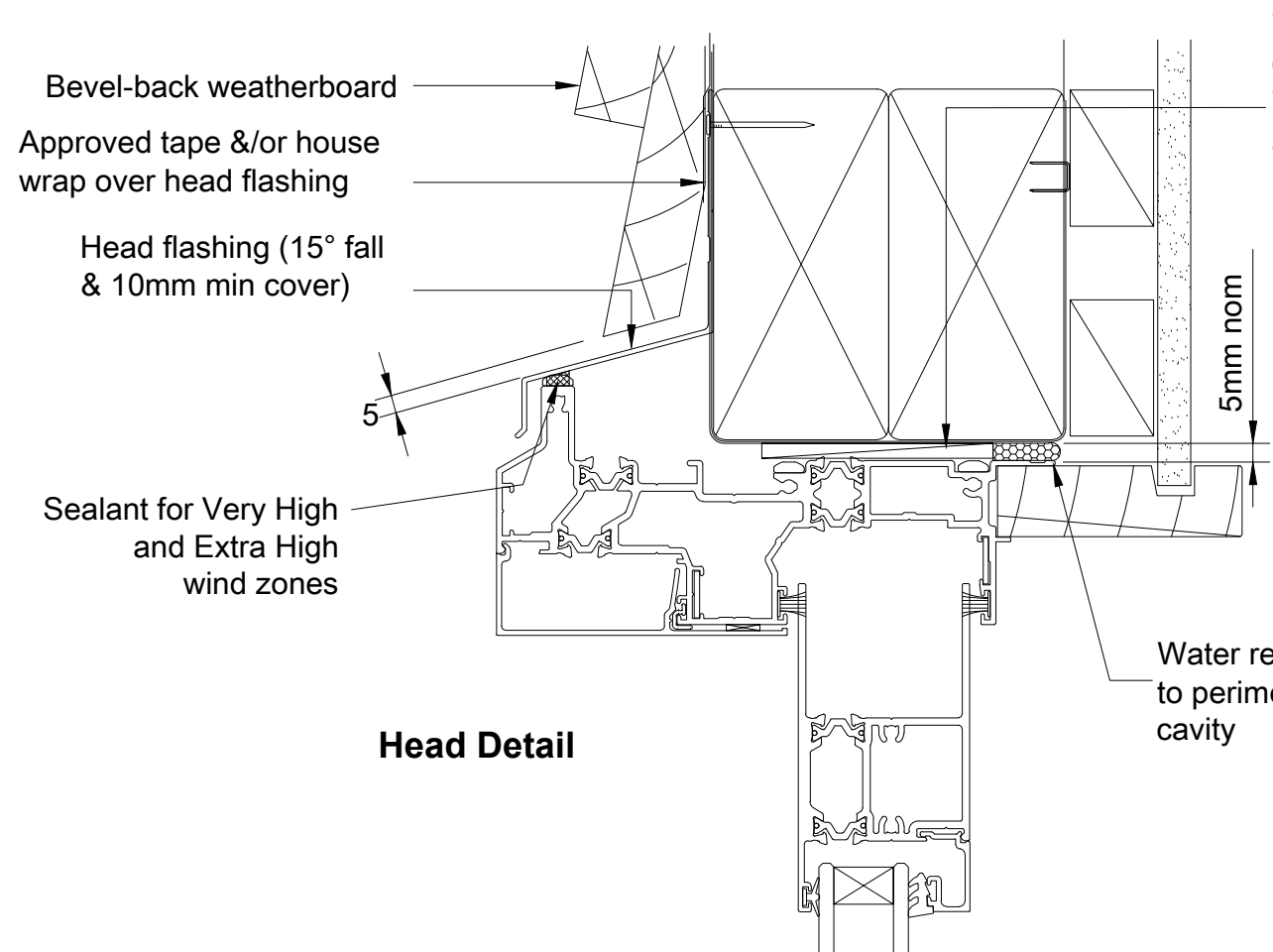
DATE:
07/04/2015
SCALE:
1:2 @ A3
ISSUE:
No: 003

**WANZ WIS DIRECT FIX
B/B WEATHERBOARD - SLIDING DOOR**

Page : BBWTHRMslid

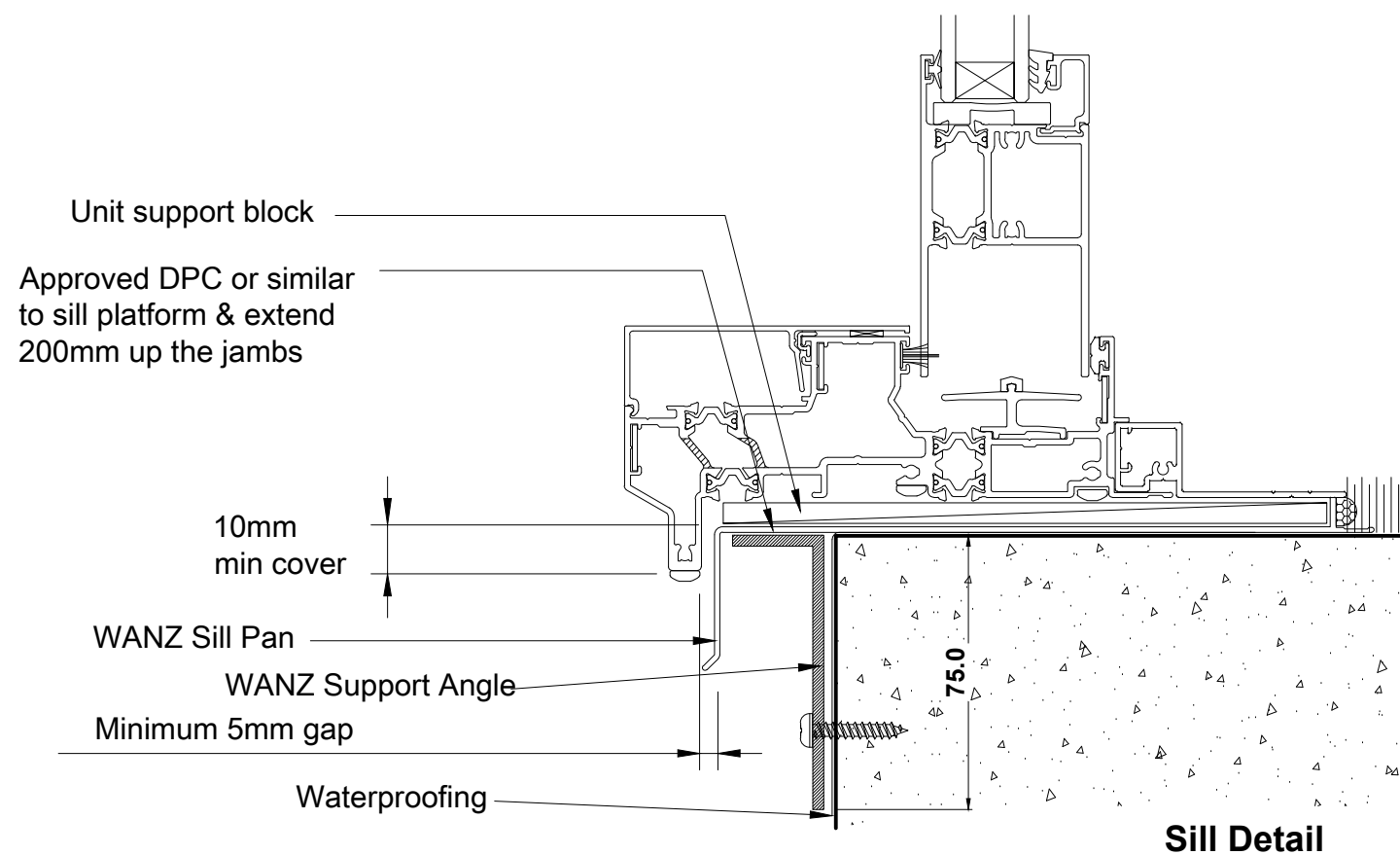
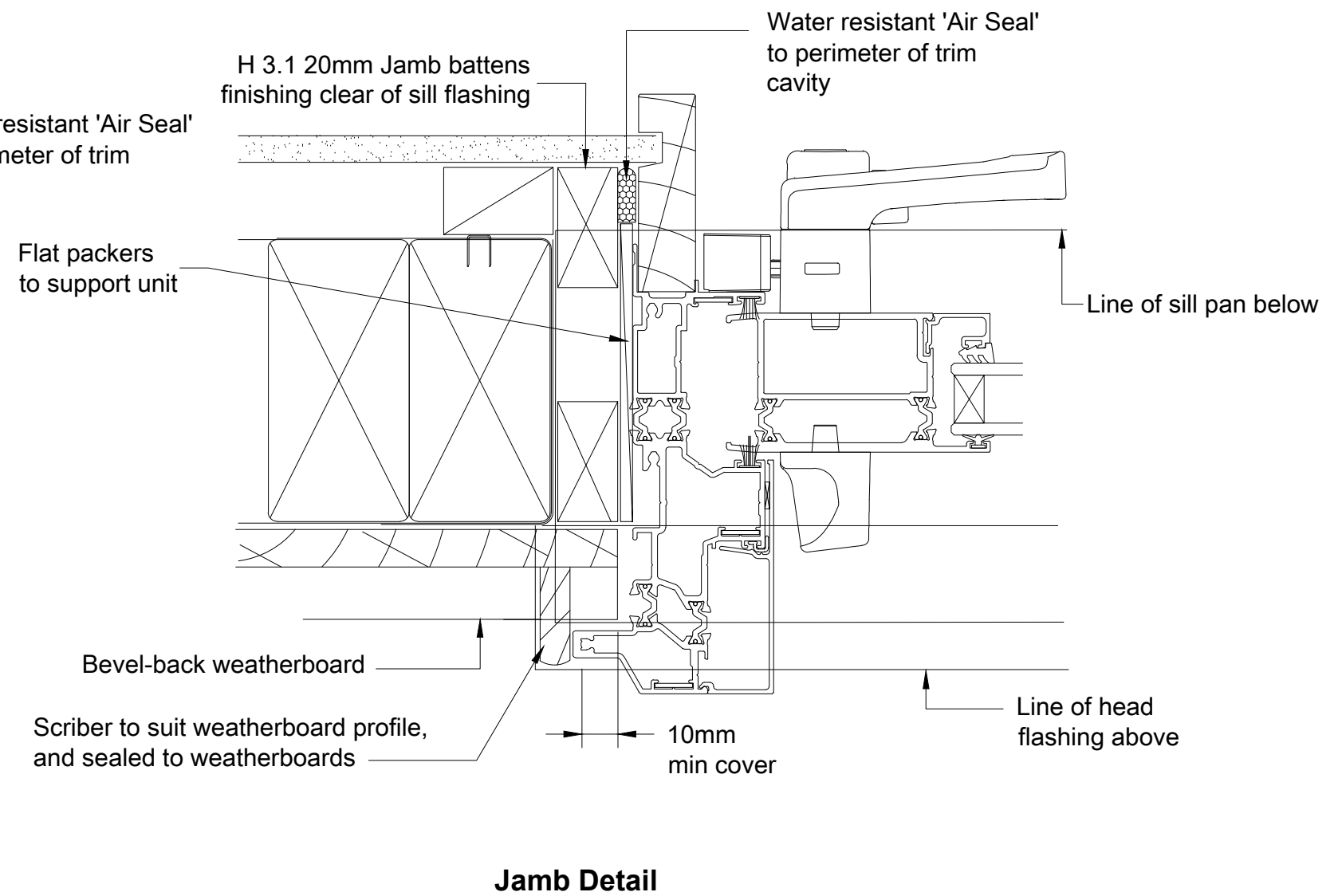
OMEGA Windows & Doors Ltd.
36 Paraita Road, Bell Block
Private Bag 2007
New Plymouth 4342
TEL: 0800 500 141
FAX: +64 6 755 9381
www.omegawindows.co.nz





Temporary Packer
(see Clause 9.1.10.8 comment c. of
The WANZ Guide to Window Installation
as described in E2/AS1)

Note :
Jamb battens are fitted after all of the
trim preparation has been completed,
including flashing tape, sill tray flashing
and end stops.
Jamb battens are to be full height.
If jamb battens do not span
the width of the framing then position
them to align with the inner and outer faces.



DATE:
07/04/2015

SCALE:
1:2 @ A3

ISSUE:
No: 003

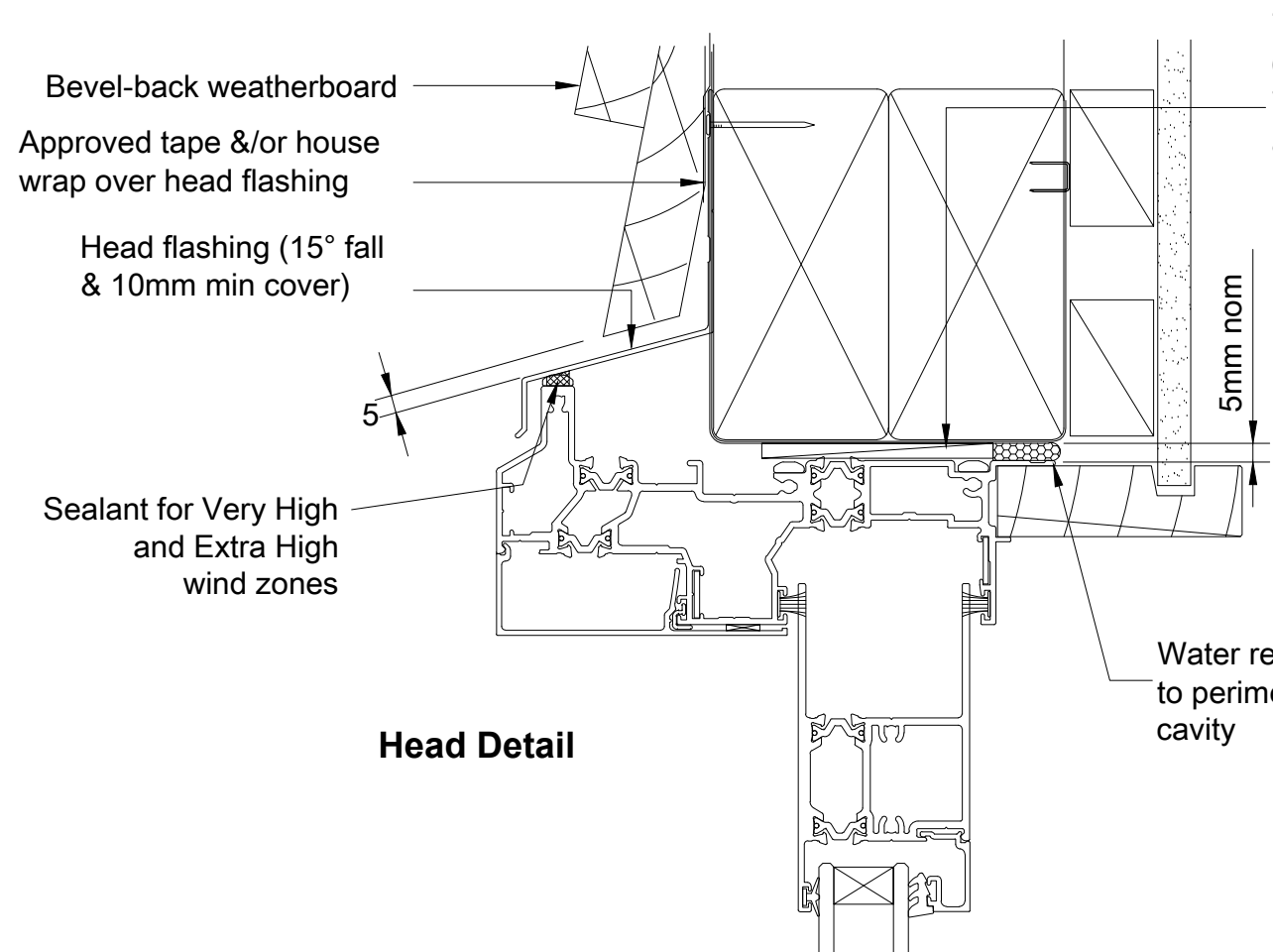
© McKechnie
Wanz
Wanz
Wanz

**WANZ WIS DIRECT FIX
B/B WEATHERBOARD - STACKER DOOR**

Page : dfBBWTHRMstk

OMEGA Windows & Doors Ltd.
36 Paraita Road, Bell Block
Private Bag 2007
New Plymouth 4342
TEL: 0800 500 141
FAX: +64 6 755 9381
www.omegawindows.co.nz

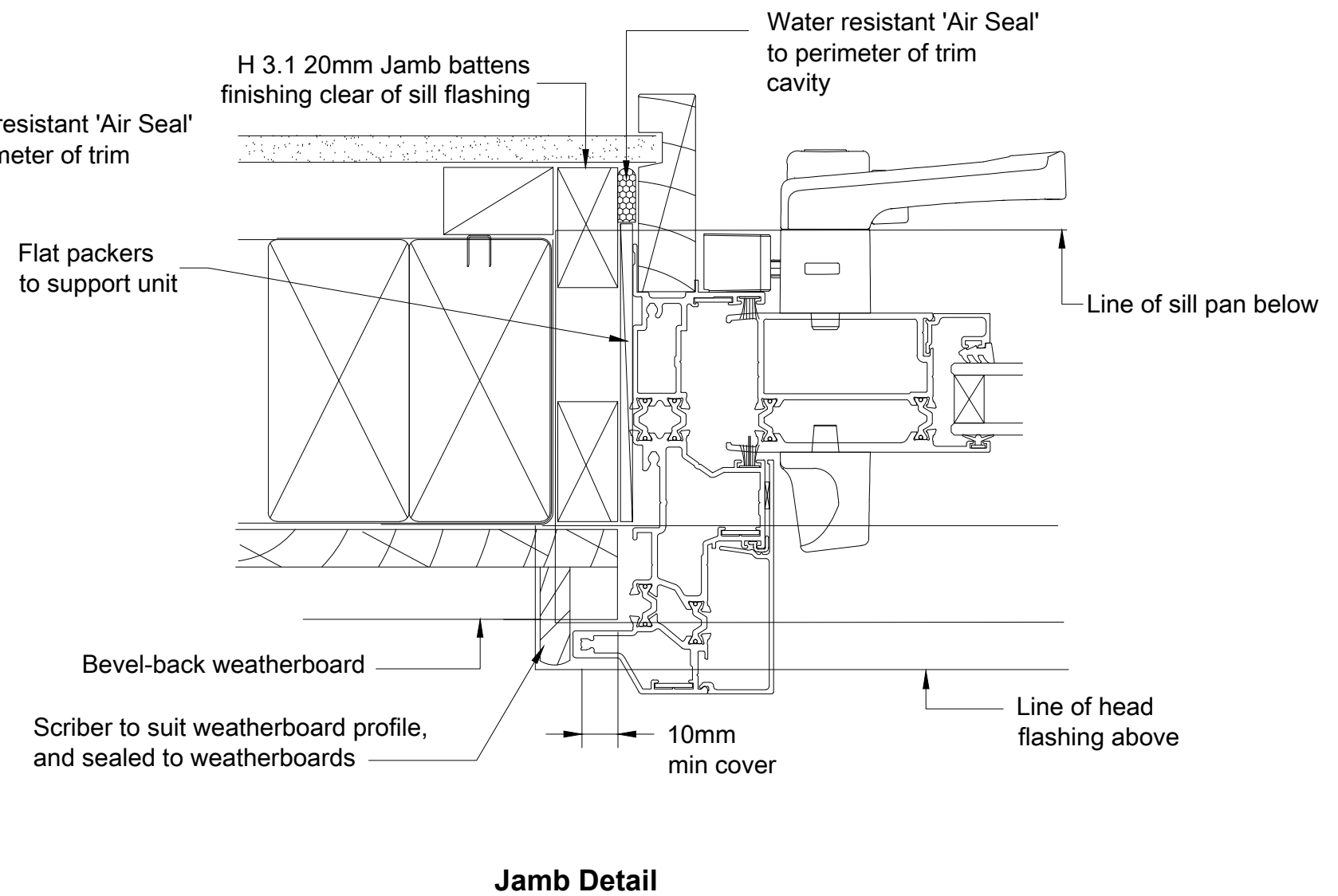




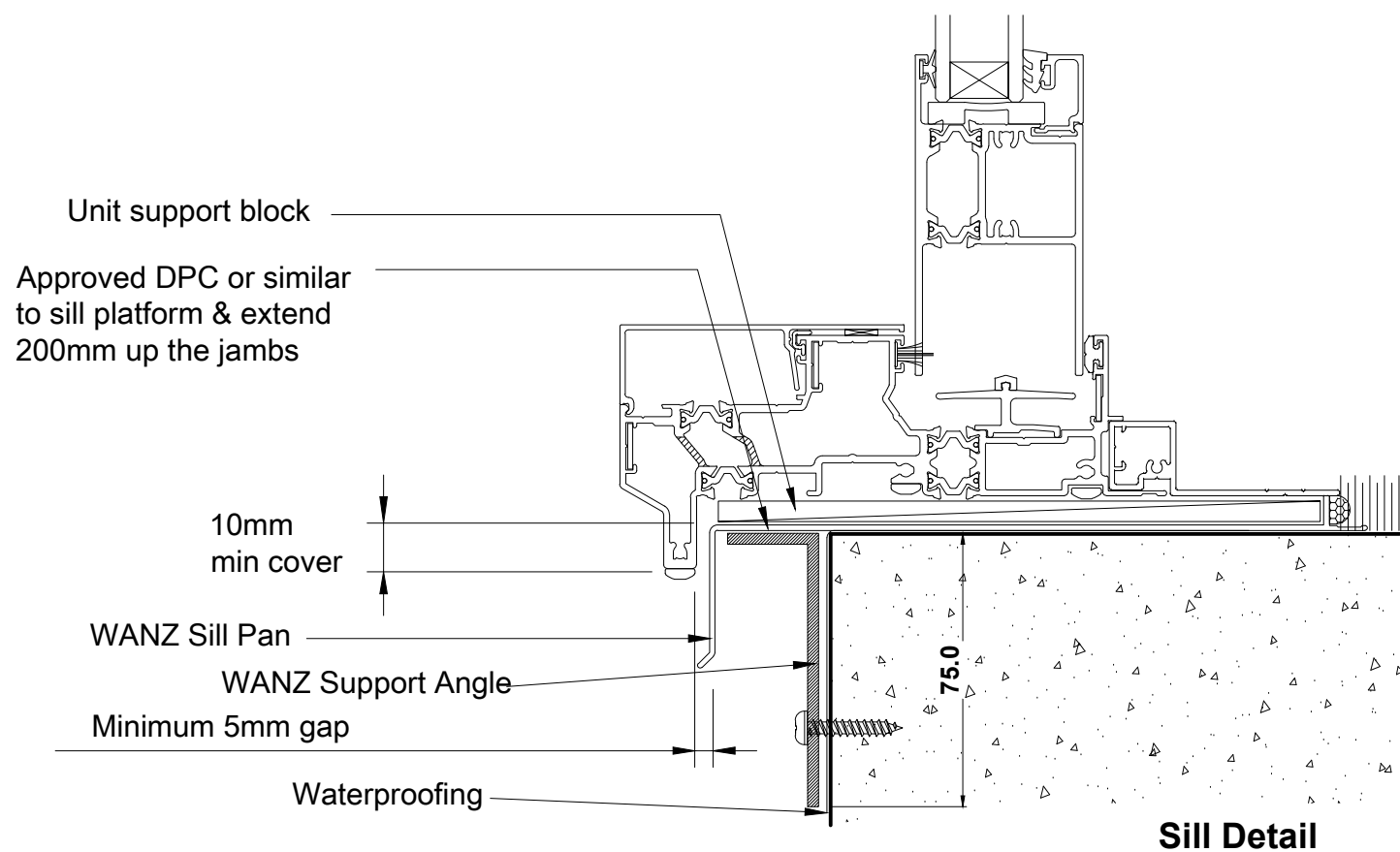
Head Detail

Temporary Packer
(see Clause 9.1.10.8 comment c. of
The WANZ Guide to Window Installation
as described in E2/AS1)

Note :
Jamb battens are fitted after all of the
trim preparation has been completed,
including flashing tape, sill tray flashing
and end stops.
Jamb battens are to be full height.
If jamb battens do not span
the width of the framing then position
them to align with the inner and outer faces.



Jamb Detail



Sill Detail



DATE:
07/04/2015
SCALE:
1:2 @ A3
ISSUE:
No: 002

**WANZ WIS DIRECT FIX
B/B WEATHERBOARD - SLIDING WINDOW**
Page : dfBBWTHRMsw

OMEGA Windows & Doors Ltd.
36 Paraita Road, Bell Block
Private Bag 2007
New Plymouth 4342
TEL: 0800 500 141
FAX: +64 6 755 9381
www.omegawindows.co.nz

